



### 120VAC 10W eMpower MuxCapacitor® Plus Forward Converter Chip Set

The Tronium eMpower MuxCapacitor® Plus Forward Converter two-chip set solution offers the highest energy efficiency for a 10W ACDC isolated power supply. A multi-gain MuxCapacitor® delivers the optimum voltage to a DCM forward converter. The forward converter employs an advanced pulse skipping algorithm to maximize no-load and standby operation power efficiency.

The two chip set includes reset, internal references and regulation & gain control logic. The chip set's high efficiency reduces thermal loading for lower packaging costs. Other output voltages are available with a simple gain trim.

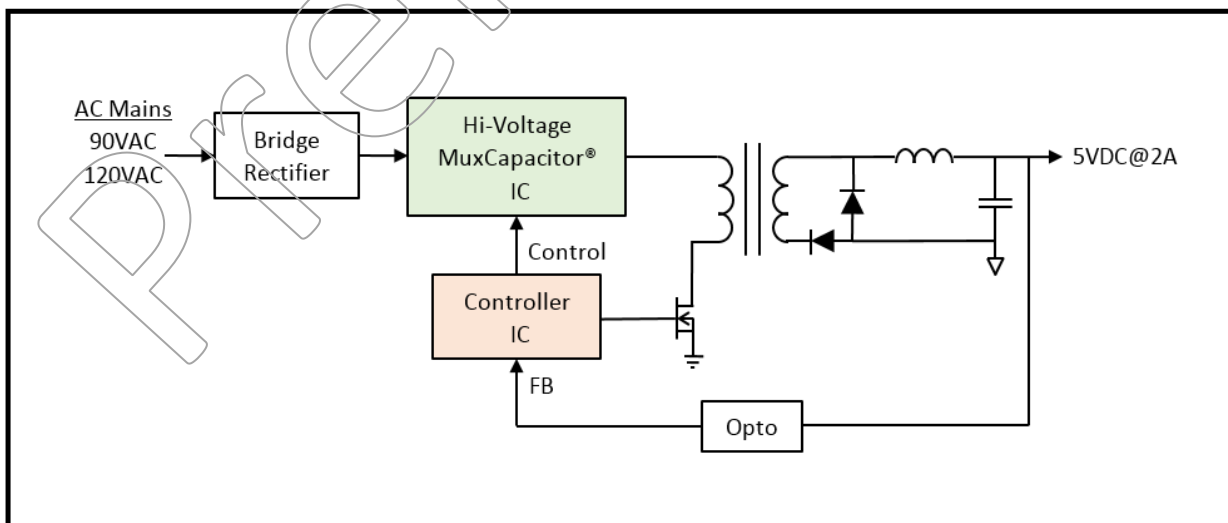
### Features

- 85-132VAC Input Voltage
- High Voltage MuxCapacitor®
- Soft-Start Protection
- 5V, 2A Output Voltage
- ±5% Output Voltage Regulation
- > 90% Efficiency from 100mW to 10W
- 10mW No-Load Power Consumption

### Applications

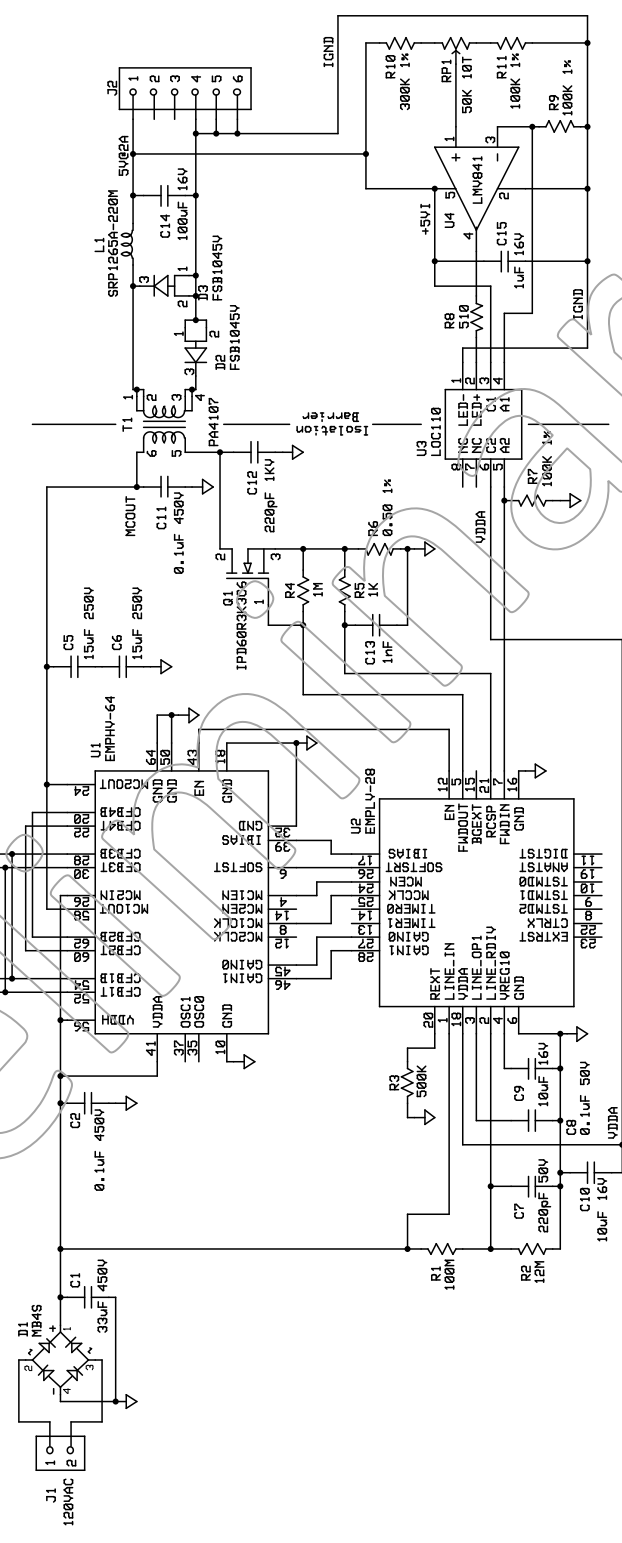
- Smart Outlets
- IoT and IIoT Gateways
- Remote Sensors
- Smoke and CO Detectors

### Block Diagram





# Semitrex Product Brief



Application Schematic