



Semitrex

Product Brief

+48Vin 15W MuxCapacitor® DC-DC Power IC

Tronium DC-DC

The Tronium DC-DC Power IC offers the highest energy efficiency per density. Integrated multi-stage MuxCapacitor® a low profile module for high density equipment. High efficiency reduces thermal loading for lower packaging costs.

Intelligent MuxCapacitor® timing & control optimizes power delivery efficiency from no-load to maximum power.

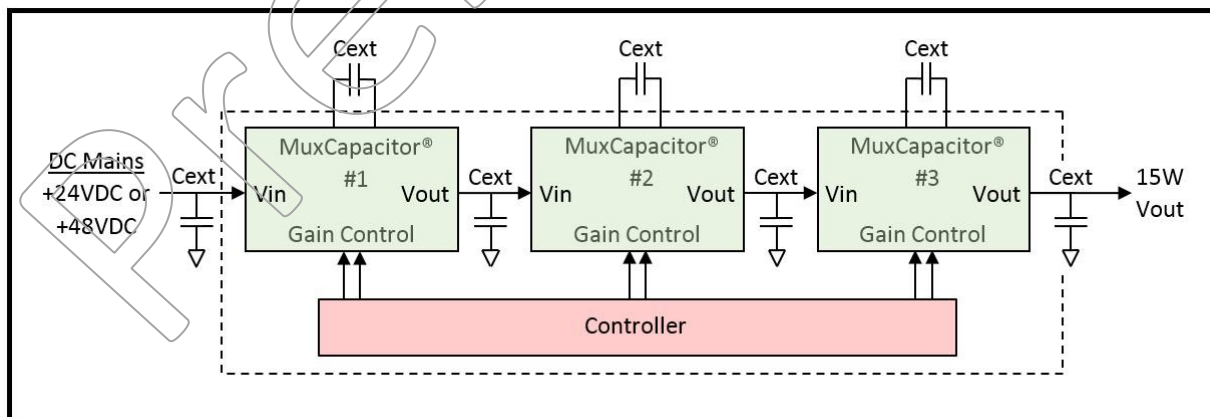
Applications

- Telecom Blades, Data Centers
- PoE: Wireless Access Points, Security Cameras, VoIP Phones
- Industrial Controllers, HVAC
- IoT & IIoT Gateways

Features

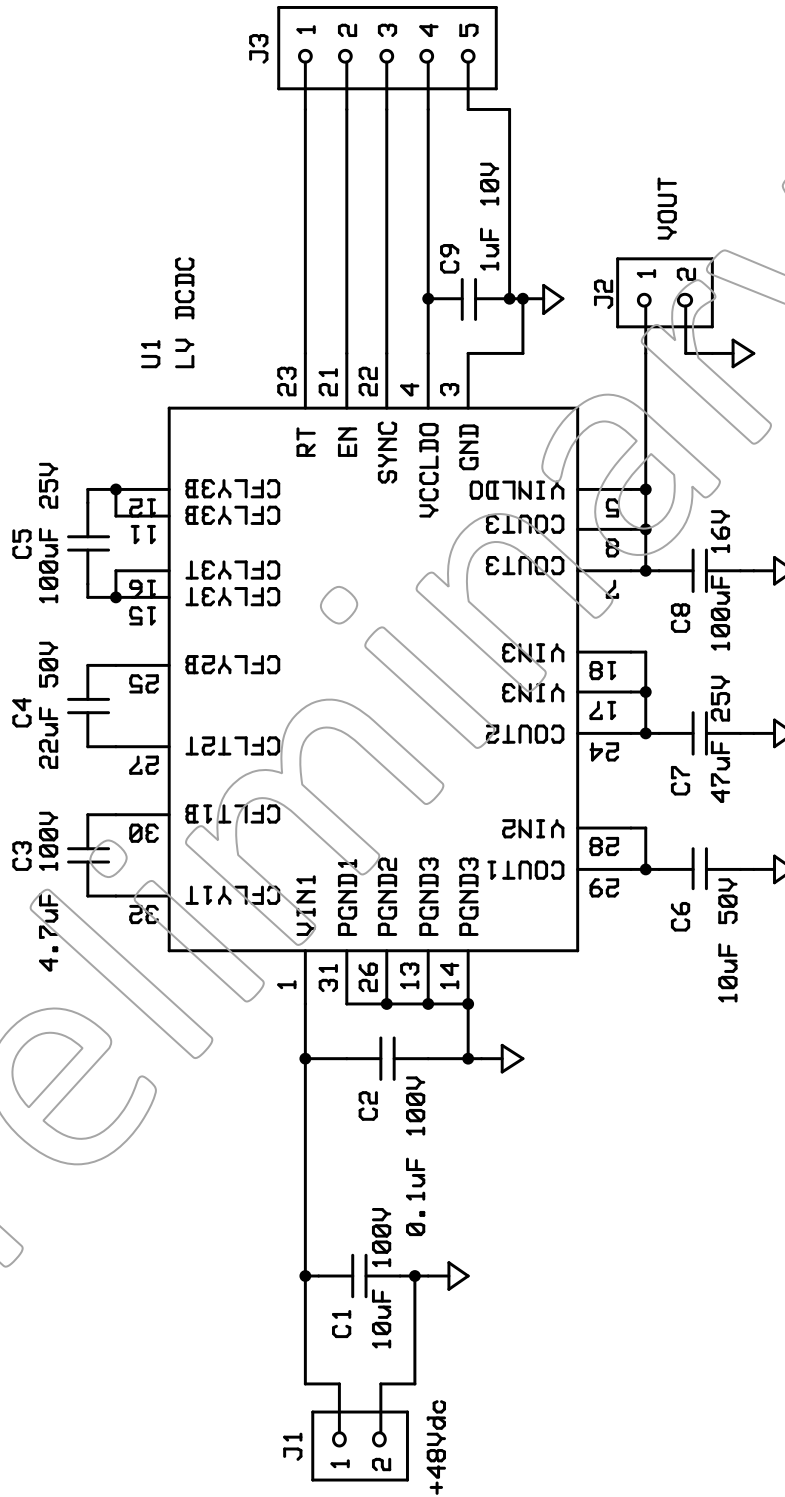
- +24/48Vdc Input Voltage
 - Multi-stage MuxCapacitor®
- 15W Output
 - Low Voltage current limitation
- Offline Operation
 - 1/2mW Power Consumption
- Idle Operation: Active, Non-switching
 - 50mW Power Consumption
 - Active On Output
- > 90% Efficiency at all loads
- Sequenced Soft-Start
- Fault Detectors
 - Input Under Voltage
 - Output Over Voltage
 - Output Over Current
 - Thermal Shutdown

DC-DC Block Diagram





Semitrex Product Brief



Application Schematic